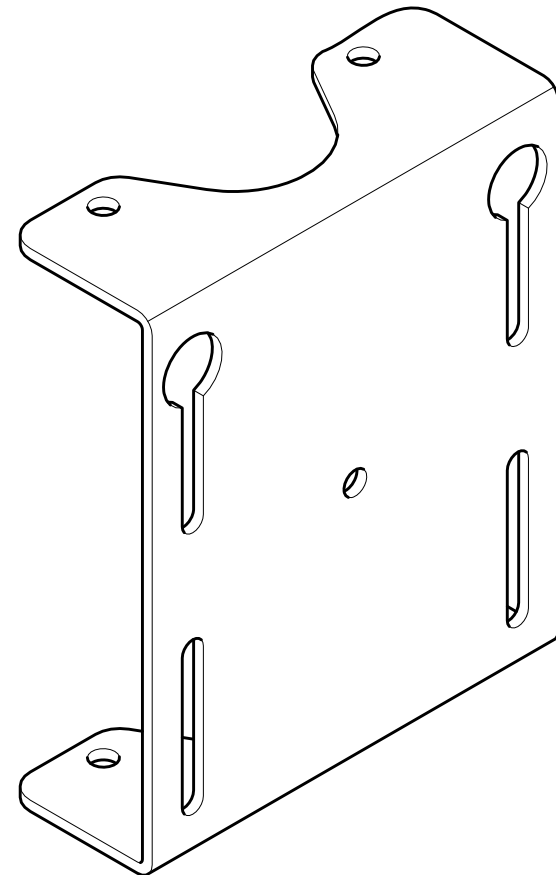


# Installation Guide

**SPDS2109**

**Back-to-back rail bracket**





## CAUTION

This product must be installed by a professional installer. It is recommended that more than one person are involved in the installation of this product.

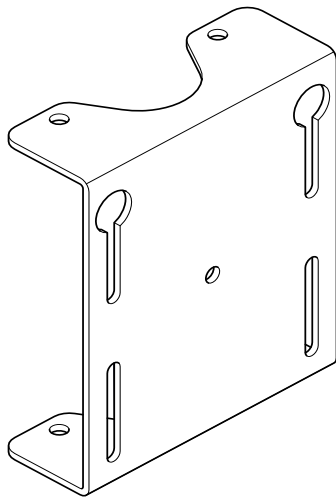
Do not exceed the stated weight limits.  
The maximum weight limit for this product is 150 kg per ceiling pole.


This product is intended for indoor use only.

If these installation instructions are not followed precisely, it could lead to product failure and potential personal injury.

Ergonomic Solutions cannot be held responsible for any failure or injury, if the installation instructions are not followed correctly.

## Box content

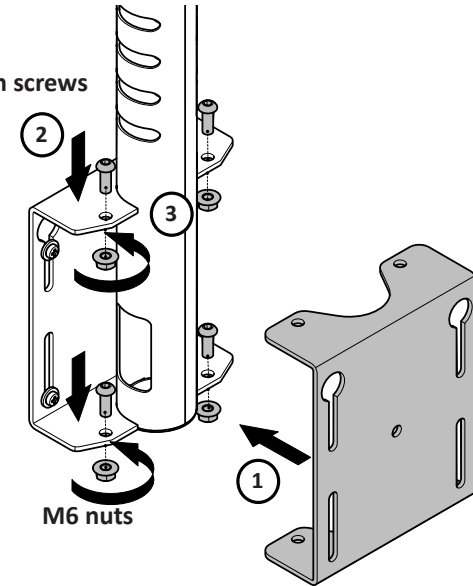


 x4 M6 x 16mm screws

 x4 M6 nuts

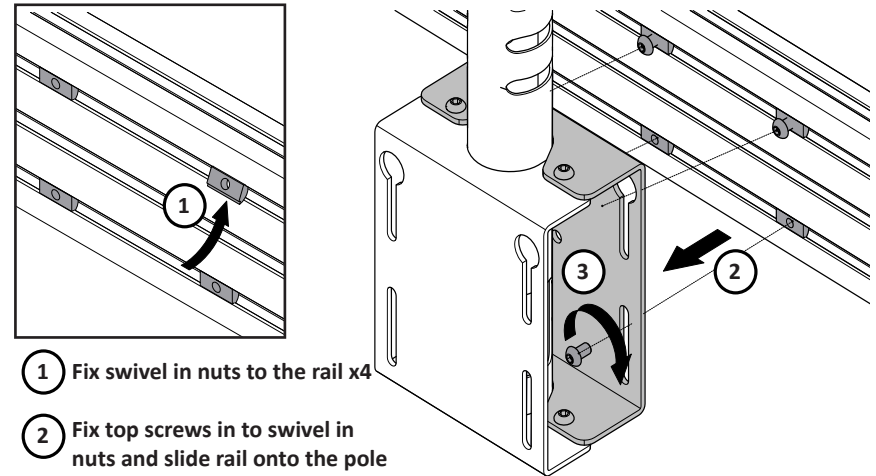
## 1 Mount bracket on ceiling pole

M6 x 16mm screws



## 2 Mount rail on bracket

Use nuts and screws  
from SPDS2116



1 Fix swivel in nuts to the rail x4

2 Fix top screws in to swivel in nuts and slide rail onto the pole

3 Secure top screws and fix bottom screws